

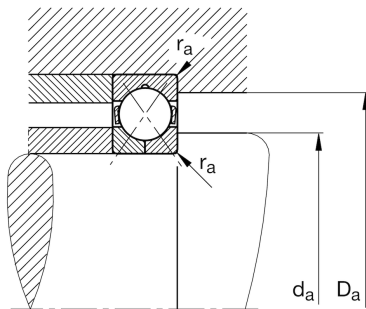
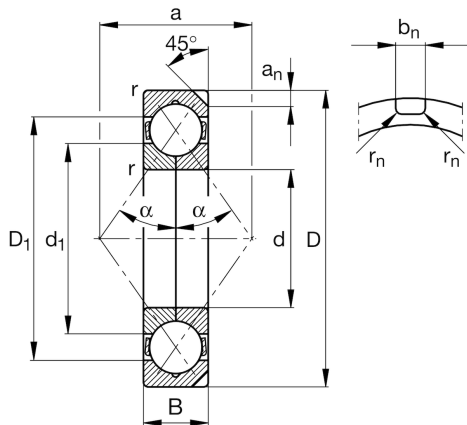
FAG

## QJ230-N2-MPA-C3

Four-point contact bearing

Schaeffler ID:  
0167423540030Four point contact bearing QJ2..-N2-MPA,  
holding grooves, solid brass cage

## Technical information



## Main Dimensions &amp; Performance Data

d	150 mm	Bore diameter
D	270 mm	Outside diameter
B	45 mm	Width
C <sub>r</sub>	350.000 N	Basic dynamic load rating, radial
C <sub>0r</sub>	485.000 N	Basic static load rating, radial
C <sub>ur</sub>	18.900 N	Fatigue load limit, radial
n <sub>G</sub>	4.350 1/min	Limiting speed
n <sub>gr</sub>	2.360 1/min	Reference speed
	12,2 kg	Weight

## Dimensions

r <sub>min</sub>	3 mm	Minimum chamfer dimension
D <sub>1</sub>	226,7 mm	Shoulder diameter outer ring
d <sub>1</sub>	193,8 mm	Shoulder diameter inner ring
a	147 mm	Distance between the apexes of the pressure cones
a <sub>n</sub>	11,7 mm	Height retaining slot
b <sub>n</sub>	10,5 mm	Width retaining slot
r <sub>n</sub>	2 mm	Radius retaining slot
	45 °	Angle retaining slot
α	35 °	Contact angle

## Mounting dimensions

d <sub>a min</sub>	164 mm	Minimum diameter shaft shoulder
D <sub>a max</sub>	256 mm	Maximum diameter of housing shoulder
r <sub>a max</sub>	2,5 mm	Maximum fillet radius

## Temperature range

T <sub>min</sub>	-30 °C	Operating temperature min.
T <sub>max</sub>	200 °C	Operating temperature max.